

Maintenance

The warranty is valid for 24 months from date of purchase. If the unit working efficiency decreases, the unit is broken or other problems arise, please stop running the unit and unplug it. Ask for advice by calling your local after sales service agent or the Customer Care Centre on 1300 556 816 (AU) / +64 9 274 8265 (NZ)

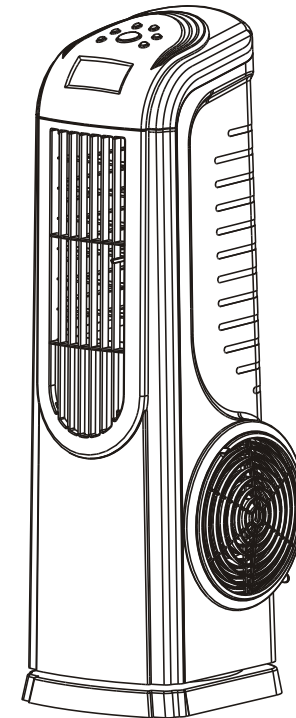
Glen Dimplex Australia Pty Ltd
2/ 205 Abbotts Road
Dandenong South 3175, Victoria
Australia
Ph: 1300 556 816
Fax: 1800 058 900

Glen Dimplex Australasia Ltd
38 Harris Road, East Tamaki
Manukau, Auckland 2013
New Zealand
Ph: +64 9 274 8265
Fax: +64 9 274 8472

Dimplex[®]

HIGH VELOCITY TOWER COOLING FAN

Model :GDC-HV90SBE



Operating Instructions
Please read the instructions carefully before using this product

TECHNICAL SPECIFICATION

Model	Power	Voltage /Frequency	Nose	Airhow	N.W.	Water consumption	Water tank capacity	Dimension
GDC-HV90SBE	100W	AC220-240V, 50Hz	≤52dB	600m ³ /h	6.6kg	0.1L/h	1.6L	280X297X870mm

TROUBLESHOOTING

Symptom	Cause	Remedy
No air flow	1.Power is not connected. 2.Power is not turned ON. 3.Body damaged	1.Plug the power cable properly. 2.Press the On/Speed button to start. 3.Return to Service Center.
Cannot shutdown fan	1. OFF button has not been pressed yet. 2.Body damaged.	1. Press OFF button. 2.Return to Service Center.
Abnormal sound from Product body	1.Foreign article inside the body. 2.Loose air wheel. 3.Motor defect.	1.Remove rear cover and strainer.Remove foreign articles. 2.Return to Service Center. 3.Return to Service Center.
No damping	1.Defective pump or motor.	1.Return to Service Center.
Air direction cannot be changed	1.Defective front synchronization motor	1.Return to Service Center.

Thank you for purchasing a Dimplex high velocity tower cooling fan. To understand the product and to ensure its proper use, please read this manual carefully. Especially pay attention to information marked with a Warning or Caution sign.

PRODUCT CONSTRUCTION

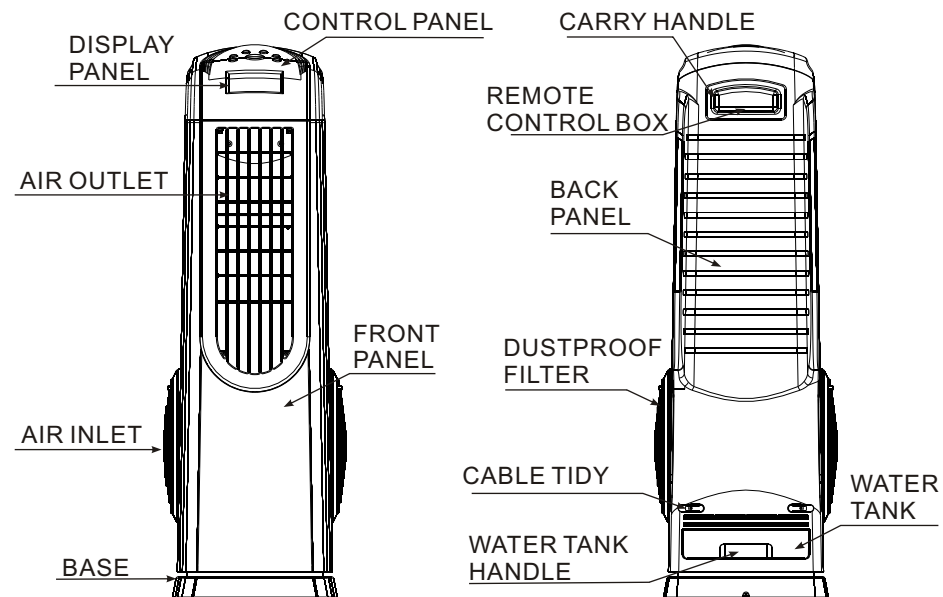


Fig.1

Fig.2

DESCRIPTION OF FUNCTIONS

1. Humidification: Using water humidification technology, the machine will blow cold air from the air outlet. This feature can be used to maintain indoor humidity and to avoid dry skin conditions. (It is only available when the water tank is filled with water or ice).
2. Air Speed Setting: There are three air speed settings(High, Medium and Low).
3. Direction of Air Flow: This unit can automatically swing from left to right-up to 60 degrees.
4. Ionizer: The unit is equipped with a Negative Ion Generator. Enabling this feature will release Negative Ions to the air for a clean and fresh air effect (Negative Ions are a type of electron which helps kill germs in the air around you).

OPERATION

1. Unpack and take the fan out. Check contents inside to see if you have received operating instructions and remote control.
2. This unit should only be placed horizontally. Do not tilt it during operation.
3. **Water Filling:** It is necessary to fill the water tank with clean water before operation. Also ensure to add clean water if the unit has not been in use for a while. Following Fig.3, First pull out the water tank, then fill it with clean water until maximum capacity is reached. Then close tank securely (NOTE: The power supply should be disconnected before filling water in order to prevent electrical parts from being damaged.)

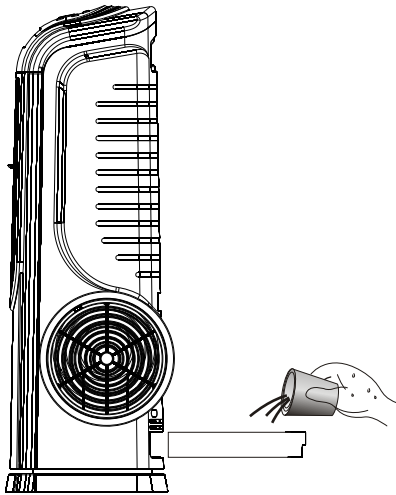


Fig.3

4. **Storage:** If the unit will not be used for an extensive period, the water tank should be drained out and cleaned. Then, operate the unit for at least an hour before storage. This is to ensure that the water strainer is entirely dry. Once dry, wrap the unit using plastic bag and place it in the box.

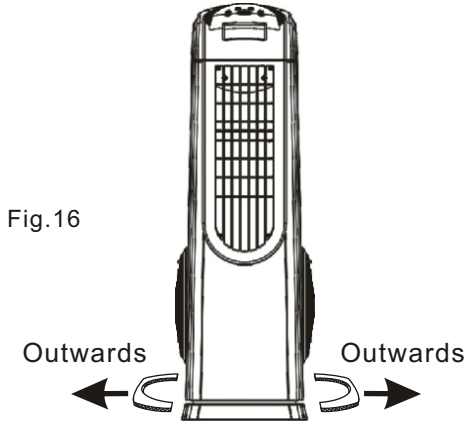
5. **Cleaning:** It is necessary to clean the water tank and inlet dustproof filter periodically as it can be clogged with dust or dirt. It is advised to clean it once every two weeks to maintain its effectiveness.



Fig.4

9. When the machine is on, do not open the dustproof filter as it is dangerous to do so.
10. If the supply cord is damaged, it must be replaced by the manufacturer or its service agent or a similarly qualified person to avoid a hazard.
11. When cleaning outer surface of this unit, use a damp cloth to wipe out any dust or dirt. Do not use any corrosive cleaner or solvent for this purpose. Rinsing with water is not allowed. (This can void warranty of the product)
12. This appliance is not intended for use by persons (including children) with reduced physical, sensory or mental capabilities, or lack of experience and knowledge, unless they have been given supervision or instruction concerning use of the appliance by a person responsible for their safety.
13. Children should be supervised to ensure that they do not play with the appliance.
14. Before you start using the machine, please remove the fixed paper-board from the base of the body. The paper-board is only used for transportation. It must be taken out before the oscillating function is used.

Fig.16



ELECTRICAL SCHEMATIC

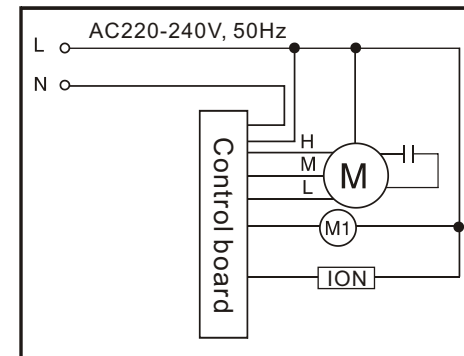


Fig.17

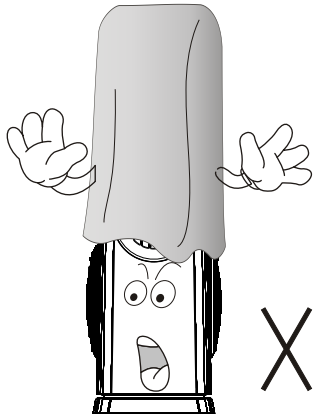


Fig.12

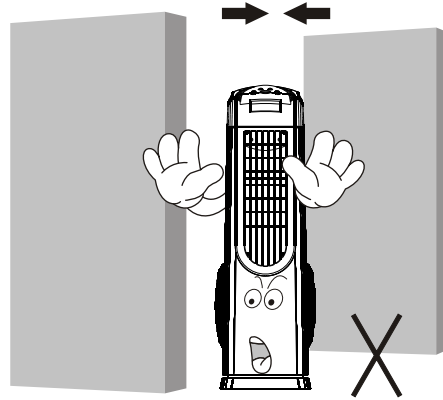


Fig.13

4. The suitable ambient temperature for this unit is 0°C-40°C. The body of this unit may not be placed in an area with extremely high or low temperatures.
5. The machine has an obvious cooling effect, do not operate it in a closed room. If operated in a closed room, only use the cooler and make sure there is no water in the water tank.
6. If you intend to store the unit, please drain out the water from the tank and operate the unit for at least an hour to avoid odor due to moisture. Then let the unit cool down before storage.

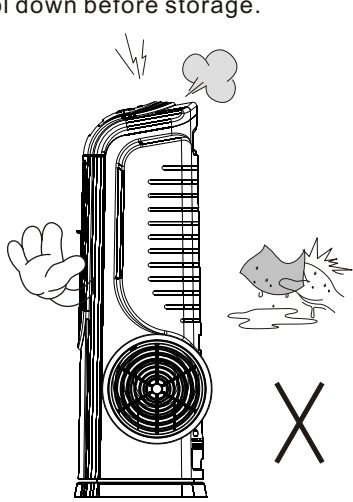


Fig.14

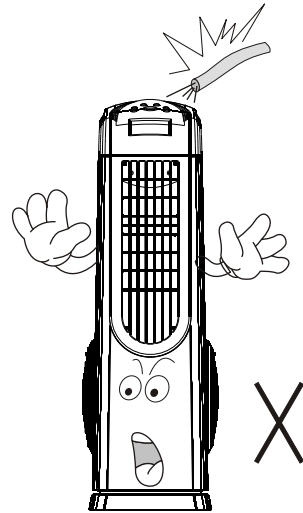


Fig.15

7. If the unit will not be used for a long period, remove the power plug from the socket to prevent any potential damage to the body.
8. Whilst operating, do not insert any objects in to the air-inlet or dustproof filter, or the machine may get damaged.

The procedure of cleaning is as follows:

- 1) Disconnect the power supply.
- 2) Following the sketch below, unscrew the inlet dustproof filter and take out the water tank.
- 3) Wash the filter and water tank.
- 4) Replace the filter and water tank on its original place.

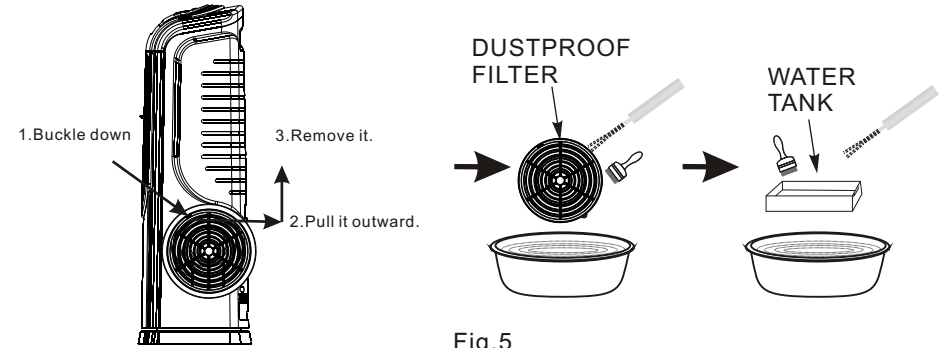


Fig.5

5. Moving: When moving the unit, always lift it using the carry handle. Do not push. Take precaution to prevent overflow of water from the water tank.

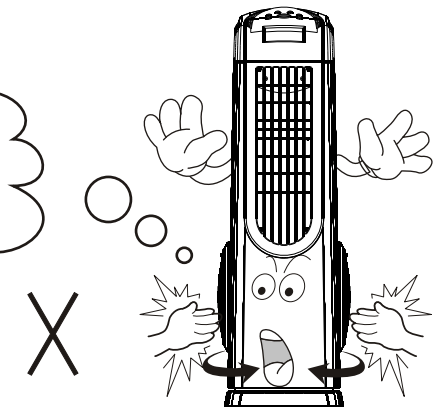
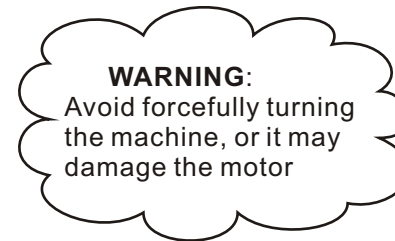


Fig.6

FUNCTIONS ON LED DISPLAY PANEL

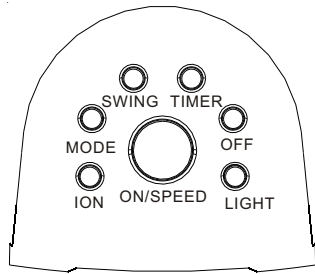


Fig.7

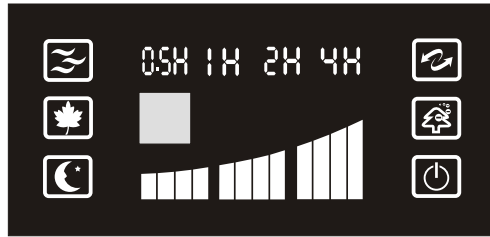
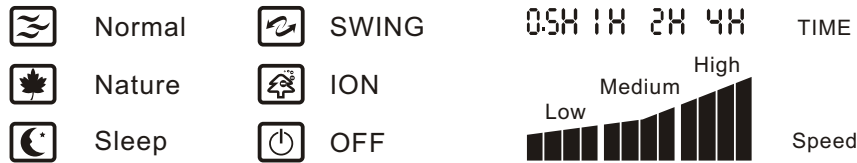


Fig.8



- ON/SPEED BUTTON:** The operating functions will only be available once this button has been pressed. It also controls the air speed (3 levels). Press this button to regulate the air speed from High, Medium and Low.
- OFF BUTTON:** When the machine is initially connected to the main power socket and the socket is switched on, the LED power light will illuminate. When you wish to stop all functions on the unit, press this button.
- TIMER BUTTON:** This machine has a built-in timer. You can use the timer to delay switching off the machine from a minimum of ½ hour to a maximum of 7 ½ hours. Note: The timer only displays 4 hours of time settings. To reach maximum hours, keep pressing the timer button until all hour signs are highlighted. Add up the highlighted hours to calculate switch off time.
- SWING BUTTON:** Use this function if you require the air to be directed in a 60 degree sweeping movement.
- ION BUTTON:** This machine incorporates an Ionizer. Press this button when you want Negative Ions released to the air.
- LIGHT BUTTON:** Press this to display a colourful lantern style illumination on the LED.
- MODE BUTTON:** There are three types of computer controlled air flow settings that you can select; "Normal", "Natural" and "Sleep". The default setting is "Normal".

Normal Mode: Operates at High, Medium and Low speeds.

Natural Mode: Simulates a natural wind effect. It has a pre-programmed setting with 3 levels of fan speed; High Natural (HN), Medium Natural (MN) and Low Natural (LN).

- Sleep Mode:** Uses a pre-programmed sleep setting with 3 levels of fan speed:
- High speed Sleep Mode:** Runs 30mins in High Natural speed, 30mins in Medium Natural speed and then runs in Low Natural speed until time out or switched off.
 - Medium speed Sleep Mode:** Runs 30mins in Medium Natural speed and switches to Low Natural speed until time out or switched off.
 - Low speed Sleep Mode:** Runs on Low Natural speed until time out or switched off.

IMPORTANT NOTES / PRE-CAUTIONS

- Use normal standard power supply of AC220-240V, 50Hz.

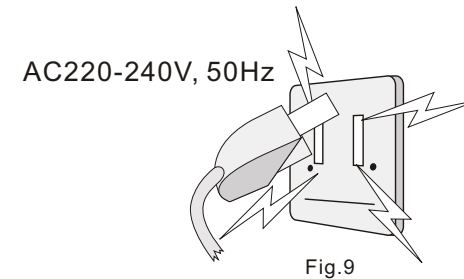


Fig.9

- The machine must be placed on a horizontal or flat surface. (Fig.10) Do not tilt or overturn the unit during operation.

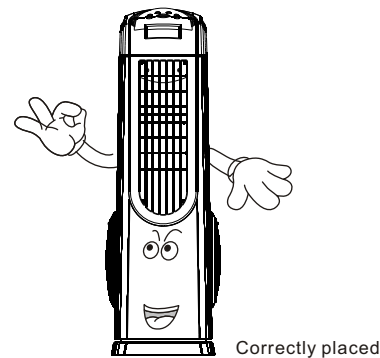


Fig.10

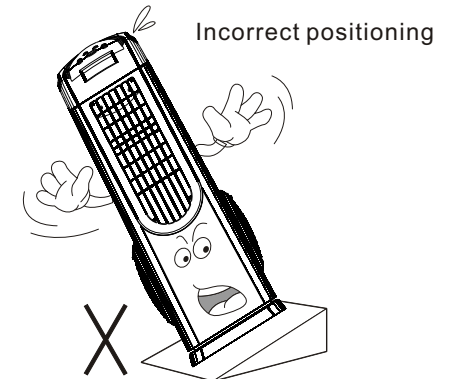


Fig.11

- Do not place any weight on top of the unit. The air outlet must not be obstructed (Fig.12). Please ensure that the unit is placed in an area where there is at least one meter of clearance from other objects to provide sufficient air flow (Fig.13).